

**Getting Started:** You will need the following tools: chalk line, drill with magnetic drill bit extension, fine tooth hand saw with miter box, tape measure and pencil.

### INSTALLING THE GUTTER

**1.** Snap a chalk line on the fascia to mark the placement of the gutter fittings. The line should be about 3/4" below the shingles. If shingles do not extend beyond the fascia, it will be necessary to install Genova's Vinyl Drip Edge. (see diagram)

**2.** Position the top edge of the Drop Outlets up to the chalk line on the fascia where the downspouts are to be placed. One Drop Outlet is recommended for every 20' - 30'. Secure with Rust Resistant Screws. Drill holes in appropriate sides of the Gutter Corners and install in the same manner.

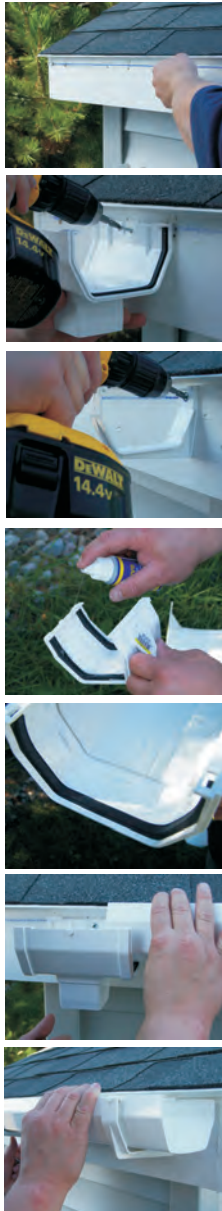
**3.** Install three Gutter Brackets for the first 10' gutter length (4 in heavy snow areas). Measuring from the Drop Outlet, install a Bracket every 24" - 36". With the top edge of the Bracket positioned up to the chalk line, attach to fascia with a Rust Resistant Screw.

**4.** Before further assembly, apply Genova All Purpose Seal Lubricant to all fitting seals.

**5.** While on the ground, snap a Slip Joint on the end of the first Gutter section by inserting the rear edge of the Gutter into the back lip of the fitting and rotating downward. Align the end of the Gutter with the "INSERT TO HERE" mark. When installing on extremely hot days, insert the Gutter 1/8" past the line; on cold days, insert the Gutter 1/8" short of the line.

**6.** Snap the Gutter length (with Slip Joint attached) into Drop Outlet and Gutter Brackets. Position the top edge of the Slip Joint up to the chalk line and secure with a Rust Resistant Screw.

**7.** Install remaining Gutter sections in the same manner.



### INSTALLING RAINGO DOWNSPOUT

**1.** For an offset Downspout, slide the Elbow over Drop Outlet opening. Hold second Elbow with Bracket against building and measure length of Downspout needed for offset. Cut Downspout, insert over spigot end of Elbow at the Drop Outlet, and into hub end of Elbow positioned against house. Attach the Downspout Bracket to the house positioned at the base of the Elbow where the Downspout and Elbow meet.

**2.** Complete the Downspout run, using Downspout Coupler to join sections, if necessary. Be sure to leave 1/4" from a tight fit over Elbows and Couplers to allow for expansion, regardless of temperature.

**3.** Slide Elbow over Downspout on the end closest to the ground.

Secure all Couplers and Elbows to building with Brackets.



Visit [www.genovaproducts.com](http://www.genovaproducts.com)

for DuraSpout Downspout installation instructions and other vinyl gutter products



**GUTTER GUARD** Ends clogged gutters & downspouts!




### DRIP EDGE

Extends your roof beyond the eaves to allow rain water to drip into the gutter.



Note: only use nail slots provided to nail Drip Edge to the roof. Do not nail directly through the vinyl.

**Genova**  
PRODUCTS

7034 East Court Street • Davison, MI 48423  
[www.genovaproducts.com](http://www.genovaproducts.com) • 1.800.521.7488  
 Form# 252174 11/09

**RAINGO**<sup>®</sup>  
 Vinyl Gutter & Downspout

**Snap-Together  
 Installation**



Lifetime Warranty <sup>Limited</sup>

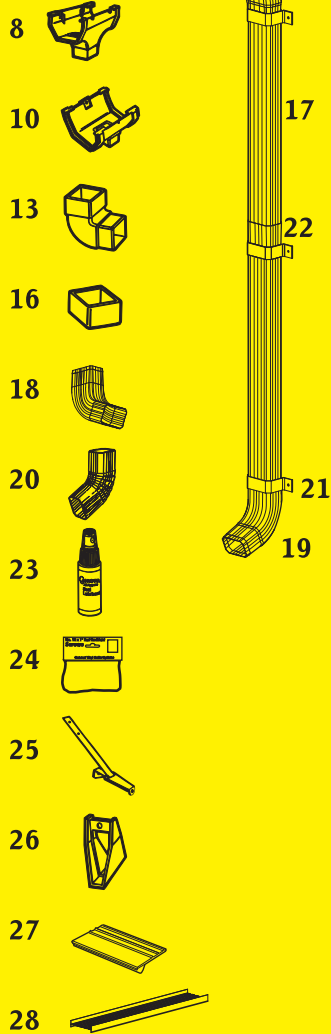
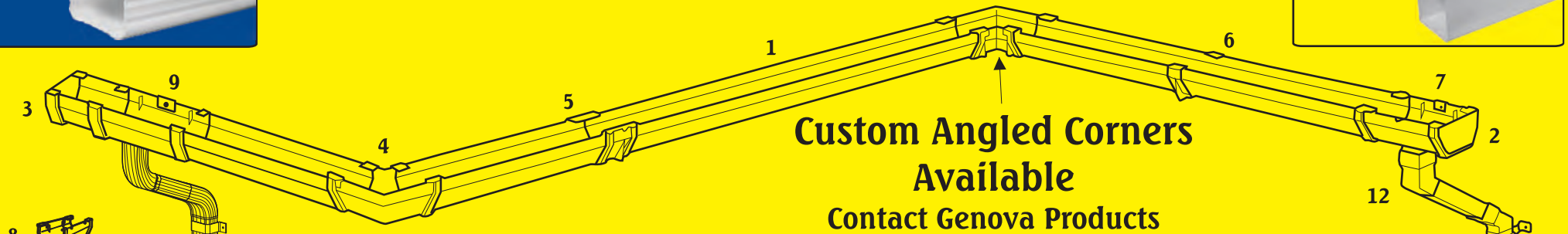
**Genova**  
 PRODUCTS

2" x 3" DuraSpout®



# Choose a Downspout Style

2½" x 2½" Raingo



## RAINGO® GUTTER

1. **10 ft. Gutter** Divide total feet of gutter system length by 10 to determine quantity needed.
2. **Inside End Cap** One for each gutter ending with a fitting.
3. **Outside End Cap** One for each gutter ending with a gutter section.
4. **Corner** One for each 90° inside or outside turn of the gutter run. Custom angles available, contact Genova Products.
5. **Gutter Slip Joint** One for each gutter to gutter connection.
6. **Gutter Bracket** One for every 24" - 36" of gutter system length plus one for each Outside End Cap.
7. **Drop Outlet (Standard)** One for every 20'-30' of gutter for normal capacity. Connects Raingo® Gutter with Raingo® Downspout.
8. **Drop Outlet (HIGHFLO®)** Connects Raingo® Gutter with Raingo® Downspout in areas where greater water flow carrying capacity is needed.
9. **Drop Outlet (A-Style)** Connects Raingo® Gutter with DuraSpout® Downspout.
10. **Drop Outlet (B-Style)** Connects Raingo® Gutter with DuraSpout® Downspout.

## 2½" X 2½" RAINGO® DOWNSPOUT

11. **10 ft. Downspout** For each Drop Outlet measure the distance from the fascia to the ground and add the amount of roof overhang to determine lengths needed.
12. **Standard 112° Downspout Elbow** Two for each offset downspout plus one additional at the bottom of the Downspout.
13. **90° Downspout Elbow** Two for each offset downspout where maximum overhead clearance is desired.
14. **Downspout Bracket** One to mount each Elbow and Coupler to the house.
15. **Downspout Coupler** One for each downspout to downspout connection.
16. **Downspout Bushing** One for each downspout Elbow to Drop Outlet direct connection.

## 2" X 3" DURASPOUT® DOWNSPOUT

17. **10 ft. Downspout** For each Drop Outlet measure the distance from the fascia to the ground and add the amount of roof overhang to determine lengths needed.
18. **Downspout Elbow (A to B-Style)** Used with a B-Style Elbow to create an offset on the side of the house.
19. **Downspout Elbow (A-Style)** Creates offsets and discharge when downspout is located on the front of the house.
20. **Downspout Elbow (B-Style)** Creates offsets and discharge when downspout is located on the side of the house.
21. **Downspout Bracket** One to mount each Elbow and Coupler to the house.
22. **Downspout Coupler** One for each Downspout to Downspout connection.

## ACCESSORIES

23. **Seal Lubricant** One bottle for each Raingo® Gutter system installation.
24. **Rust-Resistant Gutter Screws (25/bag)** One screw for each Gutter Bracket, Slip Joint, and Drop Outlet and two for each Downspout Bracket.
25. **Strap Hanger** One for each Gutter Bracket for installations where roof support is needed due to lack of adequate fascia support.
26. **Bracket Spacer (5/bag)** One for each Gutter Bracket on installations with a non-vertical fascia.
27. **Drip Edge** Slips under shingles on roofs that do not have sufficient shingle overhang to direct rainwater into gutters.
28. **Gutter Guard** For use with any symmetrical gutter system, to prevent leaves and other debris from entering the gutter system.

**Do not use Genova Vinyl Adhesive or Sealant with the Raingo® Gutter & Downspout system components.**

Colors Available  
White Brown

