

Getting Started: You will need the following tools: chalk line, drill with magnetic drill bit extension, fine tooth hand saw with miter box, tape measure and pencil.

INSTALLING THE GUTTER

1. Snap a chalk line on the fascia approximately 1" below roof edge. If desired, allow for a slight sloping of the gutter toward the Drop Outlet. One Drop Outlet for every 20'-30' of gutter is recommended.
2. Position the Drop Outlet on the fascia, aligning the notches on the mounting tabs with the chalk line. Secure the Drop Outlet with Genova Gutter Screws in the holes provided.
3. While on the ground, slide 4 Gutter Brackets onto a 10' length of Gutter (5 in heavy snow areas).
4. Attach a Gutter Connector to the end of Gutter, opposite of the Drop Outlet, by applying a continuous ¼" bead of Sealant approximately 1" from the edge of the Gutter Connector. Align the end of the Gutter with the center line inside the Connector. Insert the back edge of the Gutter into the Connector first, then snap the front edge into place. Be careful not to scrape any Sealant off the sides of the Connector. Wipe off any excess Sealant.
5. Position the Gutter Bracket, closest to the Gutter Connector, approximately 4" from the edge of the fitting. Position the Gutter Bracket closest to the Drop Outlet approximately 6" from the end of the Gutter. Evenly space the remaining Brackets between them. Place a pencil mark on the inside of the Gutter at the Bracket locations. **DO NOT APPLY SEALANT TO THE BRACKETS.**
6. Install the assembled gutter section by resting approximately 2" of the Gutter into the Drop Outlet, which is already attached to the fascia. **DO NOT SNAP THE GUTTER INTO THE DROP OUTLET AT THIS TIME.** Using a Genova Gutter Screw, fasten the Bracket closest to the Connector first, aligning the notches on the mounting tab with chalk line and positioning it on your pencil mark. Snap the Gutter into the Gutter Drop Outlet, making sure that the gutter end is aligned to the "INSERT TO HERE" indicator on the fitting. Fasten the remaining Brackets, aligning them with the chalk line and pencil marks on the Gutter. **DO NOT APPLY SEALANT TO THE DROP OUTLET.** The Drop Outlet is designed to allow the gutter system to move freely during periods of expansion and contraction.
7. Install the remaining 10' gutter sections repeating steps 3 - 6, resting the Gutter end on the sealed Connector. Position and attach the Bracket farthest from the Connector remembering to keep Bracket 4" from the fitting. Connect free end of Gutter into Connector with Sealant. Ends of Gutter should meet in center of Connector. Align and fasten the remaining Brackets.



8. To complete the final section, measure from the center of the last Connector to the end of the Gutter run. Cut Gutter to length using a miter box and fine tooth handsaw. Slide the required number of Brackets onto the Gutter. If connecting to a Corner, apply a continuous ¼" bead of Sealant and insert the Gutter until it meets the positioning tabs on the inside bottom of the Corner. For an End Cap, apply a continuous ¼" bead of Sealant inside the End Cap and carefully snap the fitting onto the end of the Gutter. Wipe off any excess Sealant. If gutter run ends at an End Cap, secure the Gutter Bracket closest to the End Cap to the Gutter using Genova Vinyl Sealant where Bracket and Gutter connect. This allows for expansion and contraction into the Drop Outlet. Install the final Gutter section in the same manner as previous sections.

INSTALLING THE DOWNSPOUT

1. Attach larger end of a Downspout Elbow onto the Drop Outlet opening. Elbows are designed to fit securely onto the Drop Outlet. For a permanent hold apply a small amount of Sealant to the inside corners of the Downspout Elbow before installing. For an offset Downspout, join two Elbows by inserting the tapered end of one fitting into the larger end of the other. Apply the Sealant, spotting inside corners of the larger opening. If the soffit is too wide to allow a direct connection between the Elbows, use a short piece of Downspout to make the connection. The small end of the Elbow will fit inside the Downspout and the larger end of the Elbow will fit over the Downspout. Make sure that the larger end is always positioned upwards. Use one A to B-Style Elbow with one B-Style Elbow when a Downspout run is required on the side of the house.
2. Place a Downspout Bracket over the lower offset Elbow and fasten it to the wall using Genova Gutter Screws.
3. When joining two sections of Downspout, use a Downspout Coupler. Make sure the larger end of the Coupler is facing up. Install the lower Downspout section over the small end of the coupler, leaving a 1/4" gap to allow for expansion and contraction. **DO NOT APPLY SEALANT TO THE DOWNSPOUT COUPLER.**
4. Attach an Elbow to the ground opening of the Downspout. Secure all Couplers and Elbows to the house with Brackets and Screws.



REPLA K

Vinyl Gutter & Downspout

Vinyl Sealant Installation



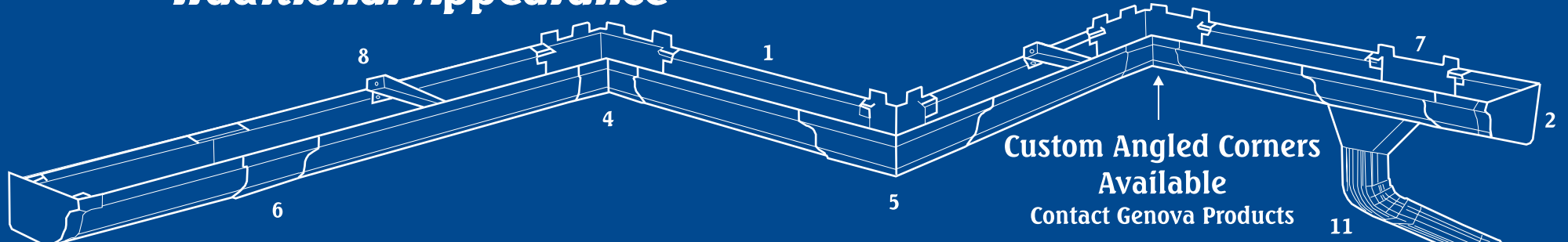
Limited
Lifetime Warranty

Genova
PRODUCTS

Genova
PRODUCTS

7034 East Court Street • Davison, MI 48423
www.genovaproducts.com • 1.800.521.7488
Form# 252259 11/09

Traditional Appearance



REPLA K GUTTER

1. **10 ft. Gutter** Divide total feet of gutter system length by 10 to determine quantity needed.
2. **Right End Cap** One for each right end of the gutter run.
3. **Left End Cap** One for each left end of the gutter run.
4. **Inside Corner** One for each 90° inside turn. Custom angles available, contact Genova Products.
5. **Outside Corner** One for each 90° outside turn. Custom angles available, contact Genova Products.
6. **Gutter Connector** One for each gutter to gutter connection.
7. **Gutter Drop Outlet** One for every 20'-30' of gutter, or as desired; DO NOT APPLY VINYL SEALANT!
8. **Gutter Bracket** One for every 24"-36" of gutter system length to attach gutter to house-See step 3 in instructions; DO NOT APPLY VINYL SEALANT!

2" X 3" OR 3" X 4" DURASPOUT® DOWNSPOUT

9. **10 ft. Downspout** For each Drop Outlet measure the distance from the fascia to the ground and add the amount of roof overhang to determine lengths needed.
10. **Downspout Elbow (A to B-Style)** Used with a B-Style Elbow to create an offset on the side of the house.
11. **Downspout Elbow (A-Style)** Creates offsets and discharge when downspout is located on the front of the house.
12. **Downspout Elbow (B-Style)** Creates offsets and discharge when downspout is located on the side of the house.
13. **Downspout Bracket** One to mount each Elbow and Coupler to the house.
14. **Downspout Coupler** One for each Downspout to Downspout connection.

ACCESSORIES

15. **Rust-Resistant Gutter Screws (25/bag)** One screw for each Gutter Bracket and two for each Drop Outlet and Downspout Bracket.
16. **Genova Vinyl Sealant** Used to connect gutter and gutter fittings.
17. **Strap Hanger** One for each Gutter Bracket for installations where roof support is needed due to lack of adequate fascia support.
18. **Debris Shield™** For use with any symmetrical gutter system, to prevent leaves and other debris from entering the gutter system.

3

10

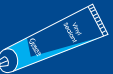
12

15

16

17

18



Patented gutter ridges increase durability
and move water and debris freely through system

Colors Available

White Brown

