

Vinyl Fence in-a-box

Semi Privacy

Part # FPV111-White
Part # FPV111A-Tan

Kit Contains

- 1 2" x 6" Top Routed Rail
- 1 2" x 6" Bottom Ribbed Routed Rail
- 10 Boards

Parts Needed but Not Included

Genova Vinyl Adhesive

Post Tops  Ball Post Top  New England Post Top  Solar Light Post Top  Gothic Post Top  Bevel Post Top

4" x 72" Routed End, Corner, & Line Posts (White/Tan-FW/FA071E, FW/FA071C, FW/FA071L)

NOTE: YOU SHOULD WEAR SAFETY GLASSES AND GLOVES WHEN WORKING WITH THIS PRODUCT.

Genova Vinyl Fence exceeds national building code requirements. Building codes vary in different areas so be sure to consult your local building department for codes and regulations for fence installations.

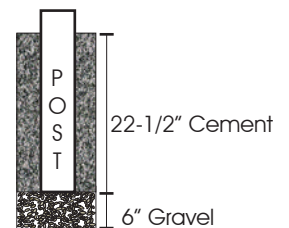
Project Preparation

- Tools you will need include a carpenter level, a corner level, string, rope, drill with 1/4" drill bit, tape measure, pencil, stakes, and spray paint to mark the ground.
- Stake the ground to locate the proper location of the Posts. To keep Posts in line, stretch a string line between the stakes and align the Posts to the string.
- Before setting Posts determine what type of Post (line, end, or corner) is needed at each post location.
- Drill three 1/4" drainage holes through the bottom of the Bottom Rail, making sure to drill through both ribs.

Installation Instructions

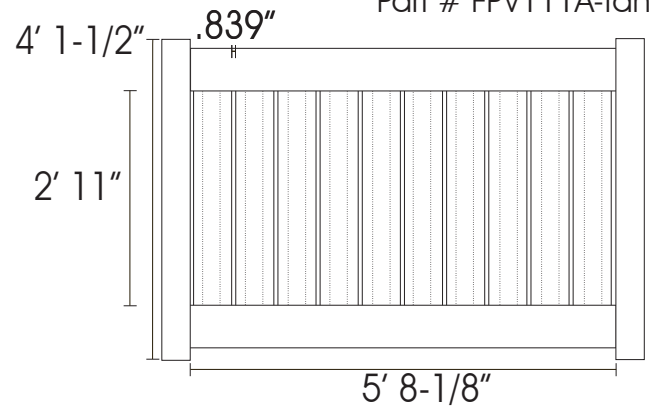
1. Set Posts . . .

- Mark the ground where the first Post will be installed. Measure 68-1/8" from the inside of one post to the inside of the next post.
- Dig the two post holes 28-1/2" deep, pour 6" of gravel into each hole, mark a pencil line 22-1/2" from the bottom on each Post, and place Posts in holes (see illustration). Do not bury posts deeper than 22-1/2" to allow a 2" clearance between the ground and the bottom rail. Wait to backfill the holes with concrete until sections are completely assembled.



2. Assemble Section . . .

- Lay Rails on a clean flat surface, with the routed holes facing each other.
- Snap the notched Boards into the routed holes of the Bottom Rail.
- Place the upper Rail over the top of the Boards, working from one end to the other.
- Cinch the fence section together using a piece of rope. This will hold the entire section together while moving it into place.
- Lift the entire section and slide the Rails into the routed post holes.
- If you are installing more than one section of fence, repeat the process above, digging post holes and assembling sections as you go. When attaching fence sections, slide the Rails into the new Post first, then into the Post connected to the assembled section.





Part # FPV111-White
Part # FPV111A-Tan

Installation Instructions (Continued)

3. Secure Fence Section . . .

- Fill the post holes with concrete.
- Place a level on the Bottom Rail. If necessary adjust Posts to level and plumb position before cement hardens.
- After cement has cured, drill a 1/4" drainage hole approximately 1" from the ground into the Post, between the ground and the Bottom Rails.

4. Add Decorative Post Tops . . .

- Apply a small amount of Genova Vinyl Adhesive to the inside bottom surface of the Post Top, where the Top contacts the Post.
- Attach the Post Top, hold for 15 seconds, and wipe off any excess adhesive.
- Repeat the above instructions for all remaining Post Tops.