

Vinyl Fence in-a-box

Classic Pool

Part # FPK271-White

Part # FPK271A-Tan

Kit Contains

- 1 2" x 4" Top Routed Rail
- 1 2" x 4" Middle Routed Rail
- 1 2" x 6" Bottom Ribbed Routed Rail
- 21 Boards

Parts Needed but Not Included

Genova Vinyl Adhesive

Post Tops  Ball Post Top  New England Post Top  Solar Light Post Top  Gothic Post Top  Bevel Post Top
 4" x 96" Routed End, Corner, & Line Posts (White/Tan-FW/FA096E, FW/FA096C, FW/FA096L)

NOTE: YOU SHOULD WEAR SAFETY GLASSES AND GLOVES WHEN WORKING WITH THIS PRODUCT.

Genova Vinyl Fence exceeds national building code requirements. Building codes vary in different areas so be sure to consult your local building department for codes and regulations for fence installations.

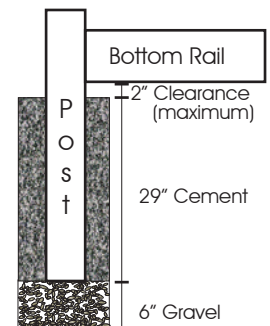
Project Preparation

- Tools you will need include a carpenter level, a corner level, string, drill with 1/4" drill bit, tape measure, pencil, stakes, and spray paint to mark the ground.
- Stake the ground to locate the proper location of the fence Posts. To keep Posts in line, stretch a string line between the stakes and align the Posts to the string.
- Before setting Posts determine what type of Post (line, end, or corner) is needed at each Post location.
- Drill three 1/4" drainage holes through the bottom of the Bottom Rail, making sure to drill through both ribs.

Installation Instructions

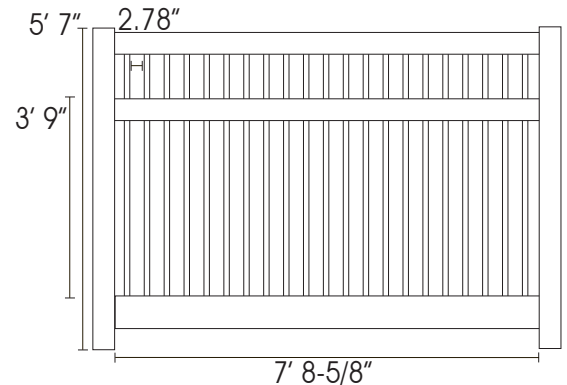
1. Set Posts . . .

- Mark the ground where the first Post will be installed. Measure 92-5/8" from the inside of one Post to the inside of the next Post.
- Dig the two post holes approximately 35" deep, pour 6" of gravel into each hole, mark a pencil line 2" below the bottom of the bottom routed opening on the Post. Place Posts in holes and adjust the post height for a maximum clearance of 2" between the Bottom Rail and ground level. (See Illustration). Wait to backfill the holes with concrete until sections are completely assembled.



2. Slide in Rails & Boards . . .

- Slide the 2" x 6" Bottom Rail into the routed holes on the bottom of the Posts with the routed openings in the Rail facing upward.
- Slide the 2" x 4" Middle Rail into the routed holes in the middle of the Posts.
- Slide all 21 Boards through the Middle Rail and into the Bottom Rail, notched end down.
- Slide the Top Rail into the open slots in the Post and over the top of the Boards, working from one end to the other.
- If you are installing more than one section of fence, repeat the steps above, digging post holes and assembling sections as you go. When attaching fence sections, slide the Rails into the new Post first, then into the Post connected to the assembled section.





Part # FPK271-White
Part # FPK271A-Tan

Installation Instructions (Continued)

3. Secure Fence Section . . .

- Fill the post holes with concrete.
- Place a level on the Bottom Rail. If necessary adjust Posts to level and plumb position before cement hardens.
- After cement has cured, drill a 1/4" drainage hole approximately 1" from the ground into the Post, between the ground and the Bottom Rail.

4. Add Decorative Post Tops . . .

- Apply a small amount of Genova Vinyl Adhesive to the inside bottom surface of the Post Top, where the Top contacts the Post.
- Attach the Post Top, hold for 15 seconds, and wipe off any excess Adhesive.
- Repeat the above instructions for all remaining Post Tops.